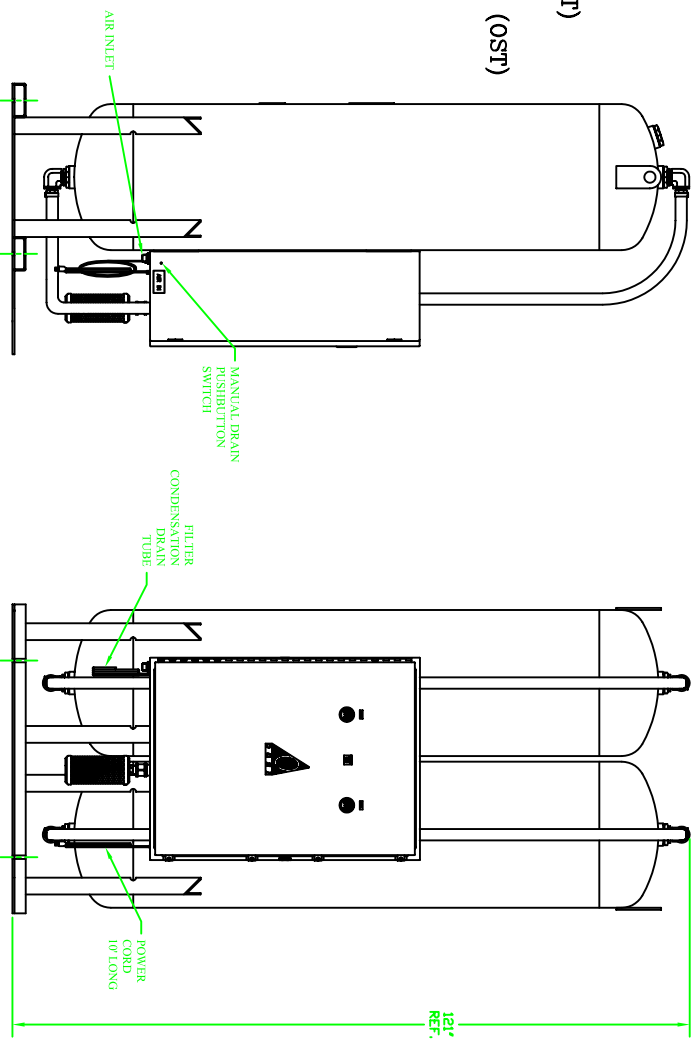
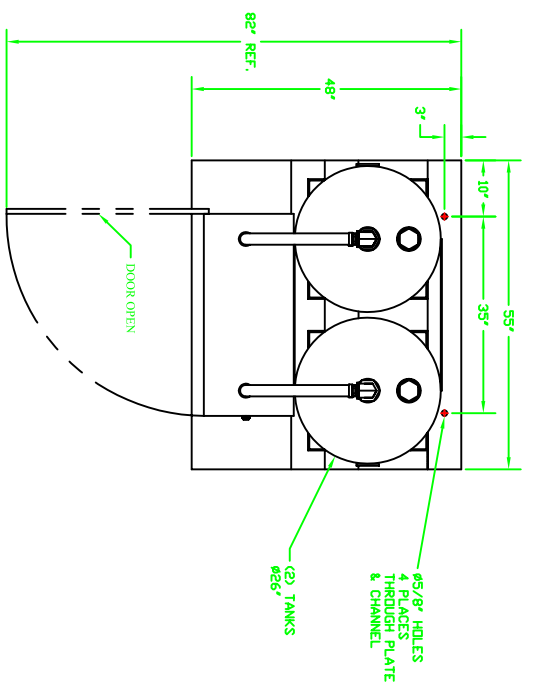


SPECS: OG-1000

- OXYGEN OUTPUT.....1000 scf*/hr @ 45 psig
- DEWPOINT.....26.3 Nm³**/hr @ 310 kPa
-100°F (-73°C)
- OXYGEN PURITY.....93% ± 3%
- AIR FLOW REQ.....175 scf*/min. (avg. flow) @ 90 psig
4.60 Nm³**/min (avg. flow) @ 621 kPa
- AIR QUALITY REQ.....ISO 8573.1 CLASS 1.4.1 MINIMUM (see below)
- SOUND LEVELS.....70dba @ 1 meter
- DIMENSIONS.....55" x 48" x 121" (WxDxH)
140cm x 122cm x 308cm
- WEIGHT.....4250 lbs. (1928 Kg.)
- POWER.....120 VAC, 60 Hz, 50 Watts (STD)@r
220 VAC, 50 Hz, 50 Watts (OPTIONAL)
- AIR INLET.....1" JIC MNPT BULKHEAD
- OXYGEN OUTLET.....1/2" FNPT BULKHEAD
(WITH 1/2" MNPT OXYGEN COUPLING)
- RECOMMENDED MINIMUM AIR STORAGE TANK (AST)
SIZE.....400 GALLONS
- RECOMMENDED MINIMUM OXYGEN STORAGE TANK (OST)
SIZE.....400 GALLONS

SPECS: ISO 8573.1 CLASS 1.4.1
 DIRT PARTICLES 1-5 MICRON.....0
 WATER PRESSURE DEWPOINT.....+37°F (940)
 (ppm. vol.) AT 100 psig
 OIL ppm (including vapor).....0.01

** A Standard Cubic Foot (SCF) is a cubic foot of gas at 14.7 psia (sea level atmospheric pressure) and 60 degrees Fahrenheit
 **A Normal Cubic Meter (Nm³) is a cubic meter of gas at 760mm Hg (sea level atmospheric pressure) and 0 degrees Celsius



REVISIONS

REV	DESCRIPTION	DATE	CHK	ECN #
A	CHANGED AIR QUALITY REQUIRED SPEC	10/25/05	JCP	05-10-036

OGSI
 814 Murkisser Drive
 N. Tonawanda, NY 14120
 Phone: (716) 664-5165
 Fax: (716) 664-5173

FILE NAME
 DG-1000
 GEN ARR
 REV A

PLOT SCALE
 NTS
 ENGINEER
 J. M. McMAHON

EFFECTIVITY OR SERIAL NO.
 DATE
 10/30/03

DRAWN BY
 J.C. PALONE
 PAGE
 1 OF 1

TITLE
 GENERAL ARRANGEMENT
 DG-1000