

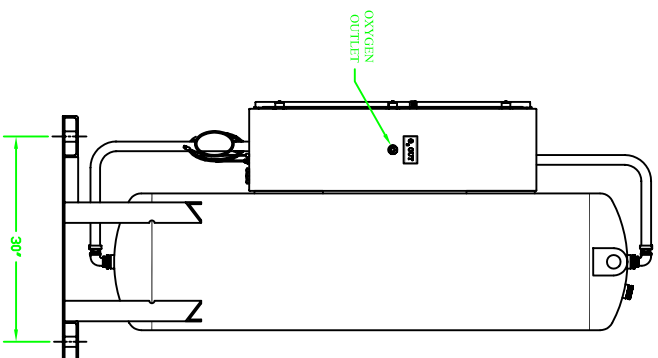
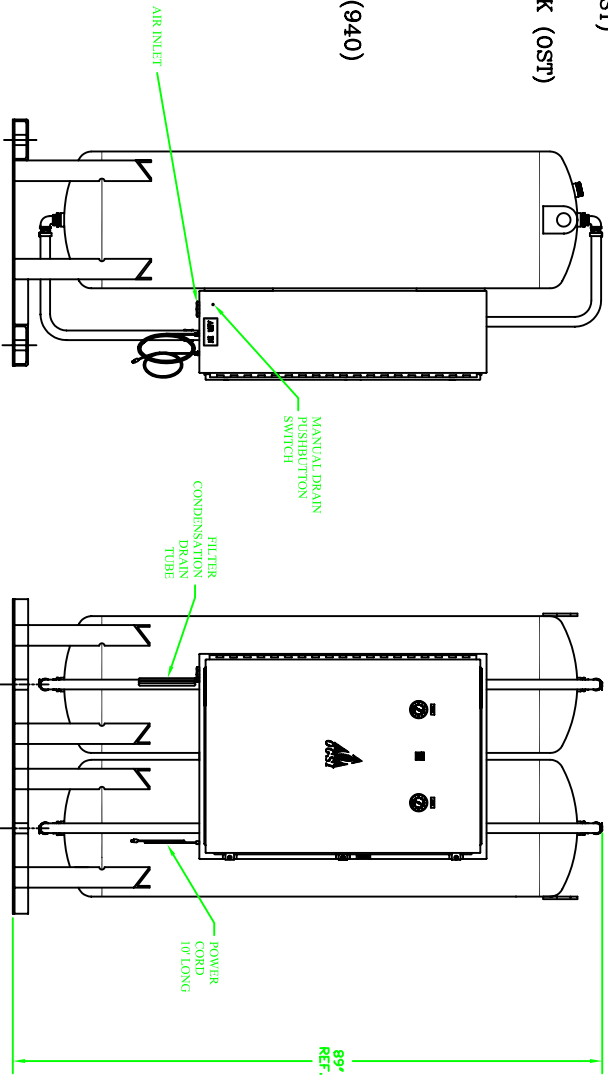
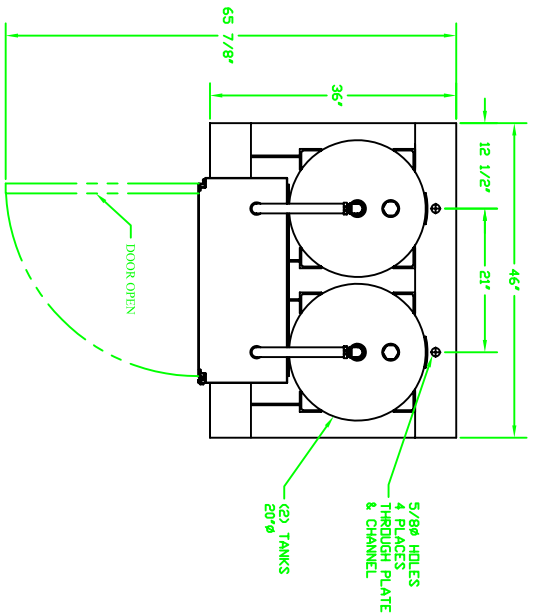
SPECS: OG-500

OXYGEN OUTPUT..... 500 scf*/hr @ 45 psig
 13.1 Nm³**/hr @ 310 kPa
 DEWPOINT..... -100° F (-73°C)
 OXYGEN PURITY..... 93% ± 3%
 AIR FLOW REQ..... 88 scf*/min. (avg. flow) @ 90 psig
 2.31 Nm³**/min (avg. flow) @ 621 kPa
 AIR QUALITY REQ..... ISO 8573.1 CLASS 1.4.1 MINIMUM (see below)
 SOUND LEVELS..... 70dba @ 1 meter
 46" x 36" x 86" (WxDxH)
 DIMENSIONS..... 117cm x 91cm x 218cm
 WEIGHT..... 1800 lbs. (816 Kg.)
 POWER..... 120 VAC, 60 Hz, 50 Watts or
 220 VAC, 50 Hz, 50 Watts
 AIR INLET..... 1" JIC MNPT BULKHEAD
 OXYGEN OUTLET..... 3/8" FNPT BULKHEAD
 (3/8" MNPT x 1/4" MNPT OXYGEN COUPLING SUPPLIED)

RECOMMENDED MINIMUM AIR STORAGE TANK (AST)
 SIZE.....120 GALLONS
 RECOMMENDED MINIMUM OXYGEN STORAGE TANK (OST)
 SIZE.....120 GALLONS

SPECS: ISO 8573.1 CLASS 1.4.1

DIRT PARTICLES 1-5 MICRON.....0
 WATER PRESSURE DEWPOINT+37°F (940)
 (ppm.vol.) AT 100 psig
 OIL ppm (including vapor).....0.01



*A Standard Cubic Foot (SCF) is a cubic foot of gas at 14.7 psia (sea level atmospheric pressure) and 60° Fahrenheit.
 **A Normal Cubic Meter (Nm³) is a cubic meter of gas at 760mm Hg (sea level atmospheric).

REVISIONS				FILE NAME	PLOT SCALE	EFFECTIVITY OR SERIAL NO.	DRAWN BY	TITLE
REV	DESCRIPTION	DATE	CHK	EDN #	NTS		J.C. PALDINE	GENERAL ARRANGEMENT
A	CHANGED AIR QUALITY REQUIRED SPEC	10/29/03	JCP	05-10-036	OG-500 GEN ARR REV A	10/29/03	1 OF 1	OG-500

OGSI
 814 Murkisser Drive
 N. Tonawanda, NY 14120
 Phone: (716) 664-5165
 Fax: (716) 664-5173